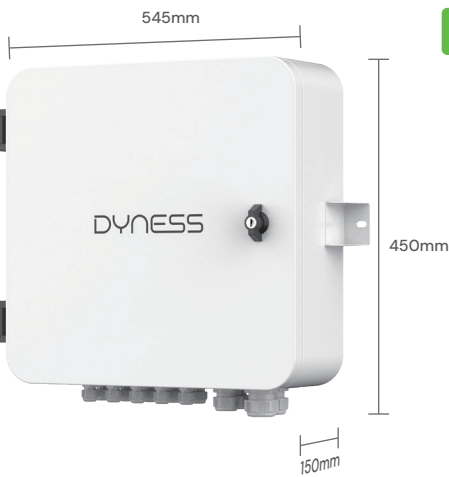


DCB-5-50-HV (5in 2out)

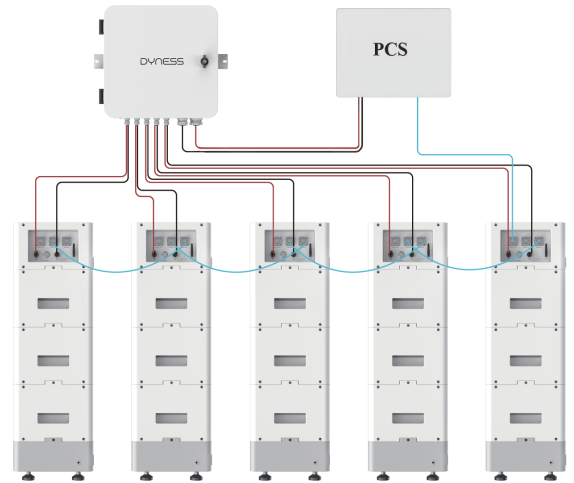
- Maximum 5 batteries connected in parallel to meet various capacity requirements
- Robust high-current handling for reliable performance
- IP65 protection level, waterproof and dustproof



Small size and light weight



5 inputs 2 outputs



Model	DCB-5-50-HV (5in 2out)
Rated Input Voltage	DC 160V~650V
Max. Input Current	200A
Single-channel Max. current	40A
Input Circuits	5
Output Circuit	2
Protection Level	IP65
Operating Temperature	-20°C~60°C
Net Weight	13kg
Installation	Wall-mounted
Dimension[W/D/H]	545/450/150mm